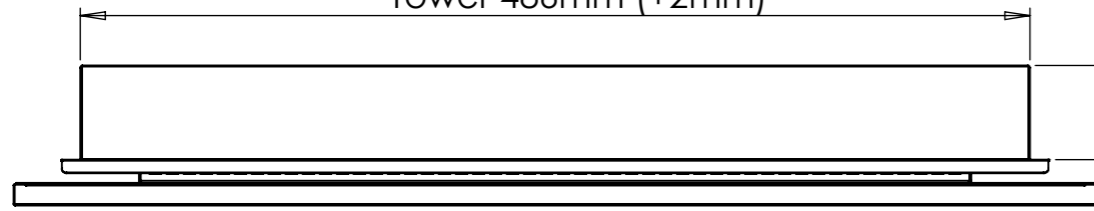
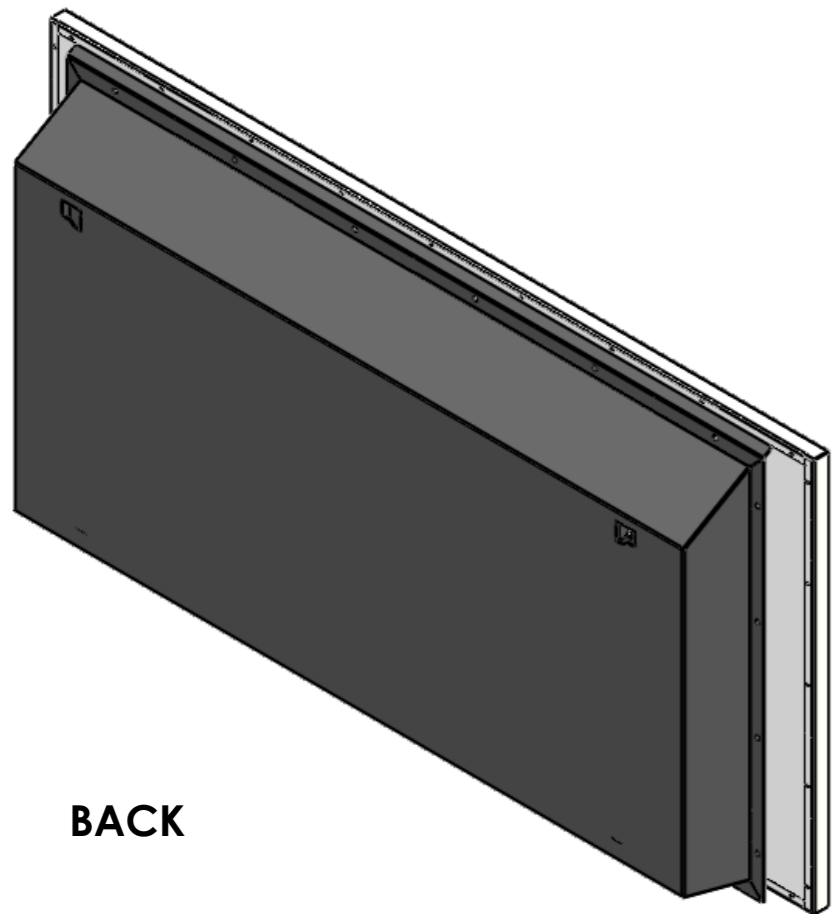
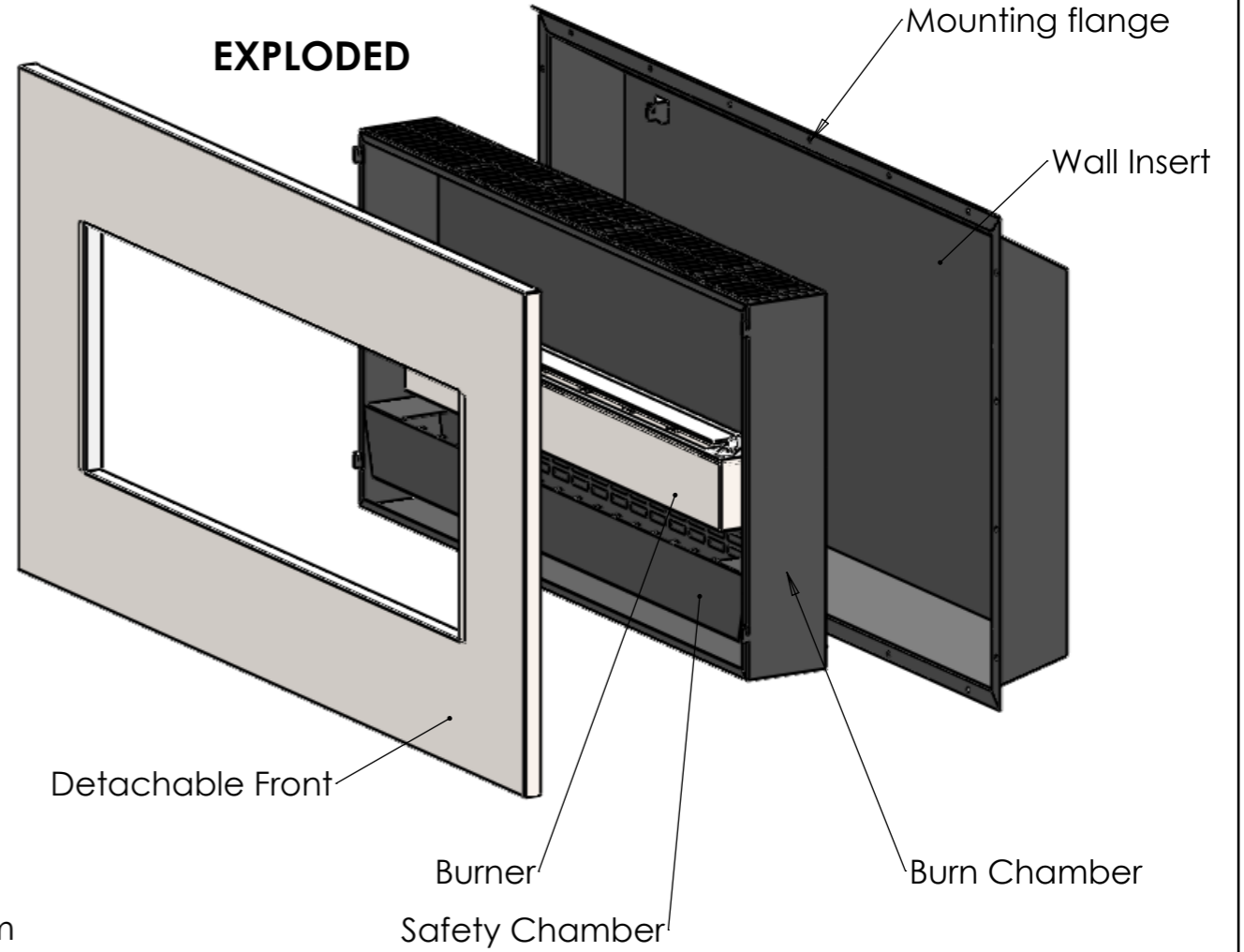


Built In Width  
 Empire 1006mm (+2mm)  
 Plaza 806mm (+2mm)  
 Tower 486mm (+2mm)

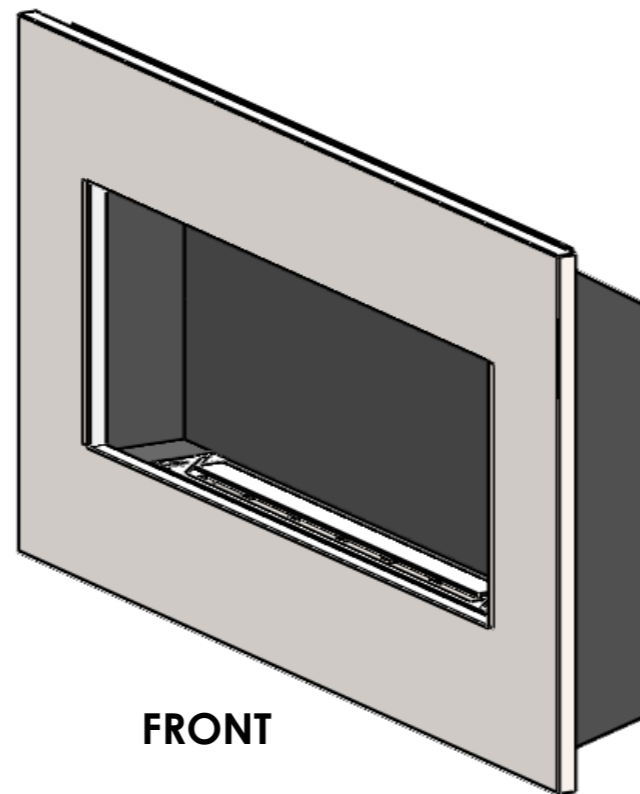
Built In Height  
 Empire 540mm (+2mm)  
 Plaza 496mm (+2mm)  
 Tower 756mm (+2mm)



Built In Depth  
 Empire Min 110mm  
 Plaza Min 110mm  
 Tower Min 110mm



BACK



FRONT

### Installing New York Built In fireplace

1. Create a cut out matching the dimensions shown on the drawing.
2. (Ideally with a frame like a window opening for support)
3. Place the wall insert in cutout and make sure that it is in level.
4. Secure the wall insert with fasteners made for the specific wall type. (Use the holes in the mounting flange as shown above)
5. Hang the Burn chamber on the intergrated mount on the wall insert and secure the chamber with the included hair needle pins.
5. Place the saftey chamber in the burn chamber.
6. Finally the Burner is inserted and the front is hung on to the burn chamber.

WEIGHT: 32.66 kg		 DecoFlame ApS Stenholm 14 DK-9400 Nørresundby TLF: +45 96 30 48 00 www.decoflame.com		Dimensions are in millimeters Tolerances: ISO DS2768-m
E		DATE	NAME	STATUS:
D				
C		DWN by	19-08-2008	TITLE:
B		CHKT by	Dato Navn	
A	Dato			
REVISION:	<b>A</b>	OFFER-NO.:		
Copyright of DecoFlame ApS Denmark, whose property this document remains. No part thereof may be disclosed, copied, duplicated or in any other way made use of, except with the approval of DecoFlame ApS DecoFlame Denmark.		MATERIAL:		DWG NO. New York Built In Guide
SCALE: 1:8		ORDER-NO.:		A3 SHEET 1 OF 1
		PROJECT:		